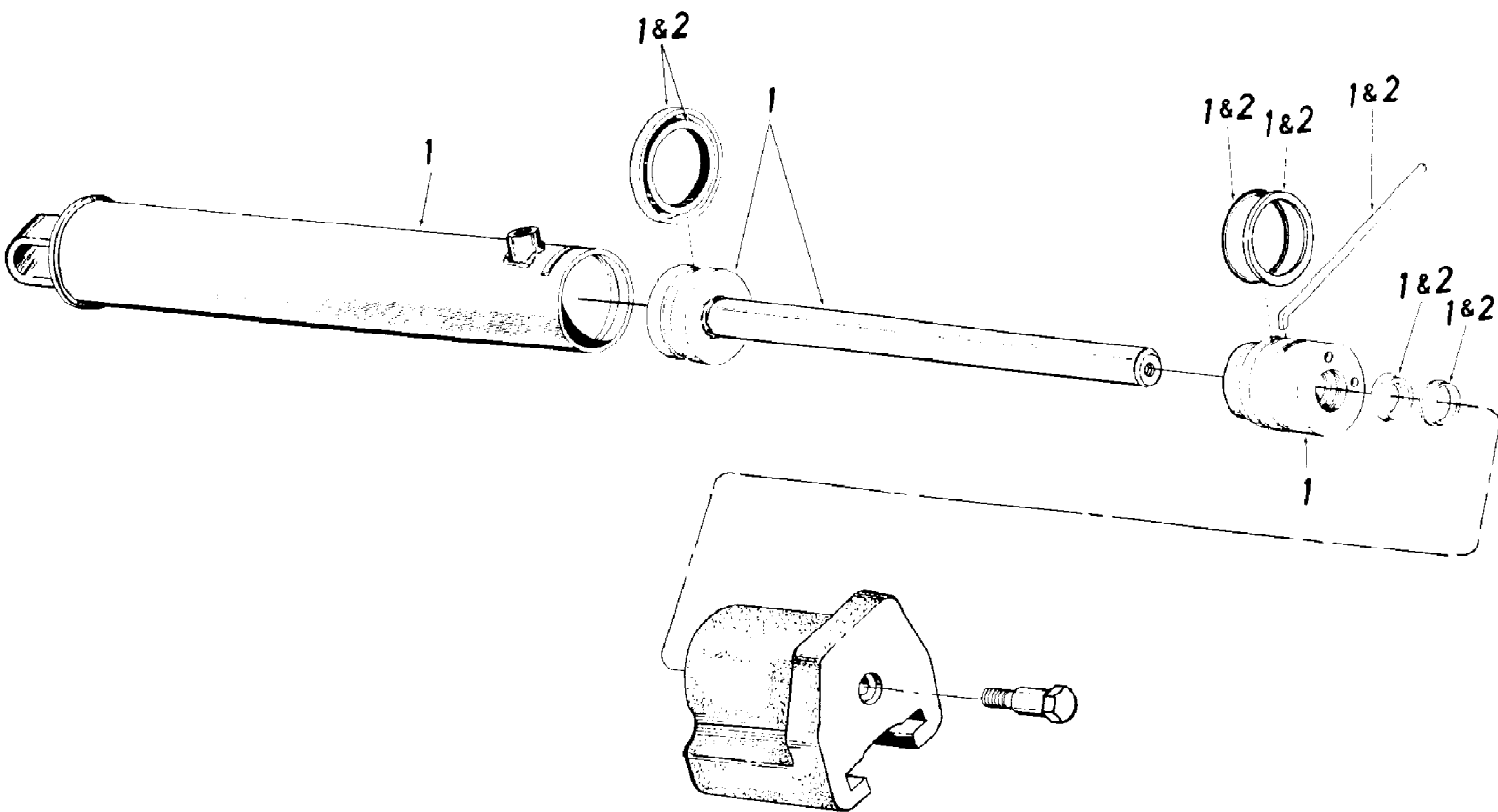


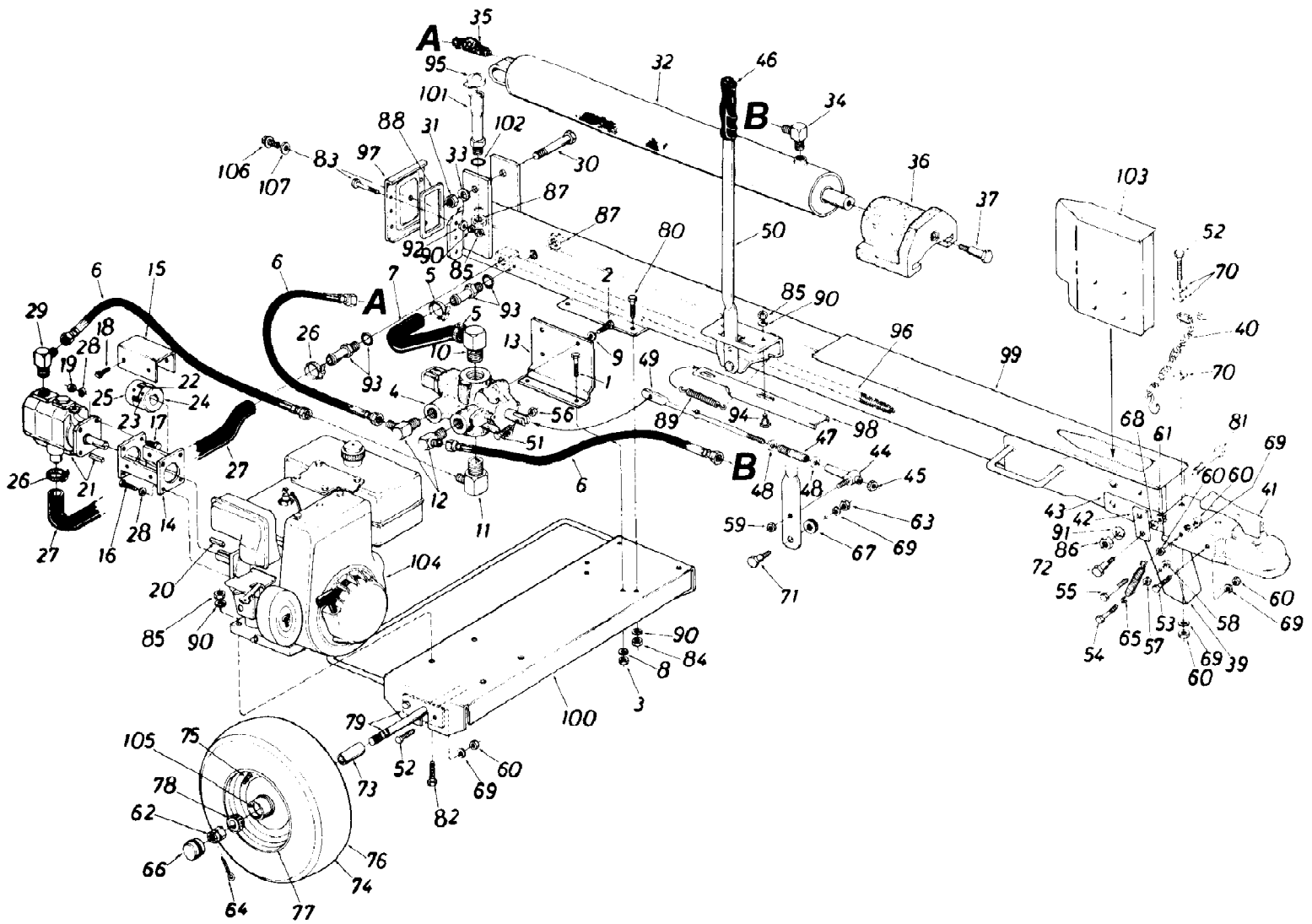
245-642-190 5 HP Log Splitter (1985)
3-1/2" & 4" Dia. Cylinder



245-642-190 5 HP Log Splitter (1985)
3-1/2" & 4" Dia. Cylinder

Page 2 of 6

Ref #	Part Number	Qty	S/P/F	Description
1	717-0818	1		Cylinder Ass'y. Comp
2	753-0272	1		3-1/2" Cyl. Kit "O"-Ring Set
1	717-0817	1		Cylinder Ass'y. Comp
2	753-0273	1		4" Cyl. Kit "O"-Ring Set



Ref #	Part Number	Qty	S/P/F	Description
1	710-0118	1	S	Hex Bolt 5/16-18 x .75" Lg.
2	710-0168	1	/P	Hex Bolt 3/8-16 x .60" Lg.*
3	712-0267	1	S	Hex Nut 5/16-18 Thd.*
4	717-0407	1		Control Valve 400
5	726-0132	1	/P	Hose Clamp 5/8"
6	727-0297	1		High Pressure Hose Ass'y .38" I.D
7	727-0299	1		Return Hose-Valve to Tank 3/4" I.D.
8	736-0119	1	S	L.-Wash. 5/16" I.D.*
9	736-0169	1	S	L.-Wash. 3/8" I.D.*
10	737-0153	1		Return Elbow
11	737-0171	1		90° Solid Male Adapter
12	737-0192	1	/P	90° Solid Male Adapter
13	781-0035	1		Valve Mtg. Plate
14	13295	1		Coupling Support Brkt Ass'y.
15	14806	1		Coupling Shield
16	710-0117	1	S	Hex Bolt 5/16-24 x 1.00**
17	710-0157	1	/P	Hex Bolt 5/16-24 x .75" Lg.*
18	710-0653	1	/P	Hex Wash. Hd. Tap Scr. 1/4-20 x .38" Lg.
19	712-0123	1	/P	Hex Nut 5/16-24 Thd.*
20	714-0172	1		Sq. Key 1/4" x 1/4" x 2.25" Lg.
21	717-0460	1		Pump with Woodruff Key (642)
	717-0461	1		Pump with Woodruff Key (645)
22	735-0205	1		Spider L-0-90
23	710-0419	1		SetScr. 1/4-20 x .25" Cup
24	717-0479	1		Coupling Half 1.00" I.D.
25	717-0498	1		Coupling Half .50" I.D.
26	726-0132	1	/P	Hose Clamp 5/8"
27	727-0298	1		Suction Hose 1.0" Dia
28	736-0119	1	S	L.-Wash. 5/16" I.D.*
29	737-0192	1	/P	90° Solid Male Adapter
30	710-0920	1		Hex Bolt 3/4" x 4.0" Lg.
31	712-0203	1	S	Hex Nut 3/4" Thd.*
32	717-0818	1		Hydraulic Cylinder 3-1/2" Dia. (642)
	717-0817	1		Hydraulic Cylinder 4" Dia. (645)
33	736-0364	1	S	L.-Wash. 3/4" I.D.*
34	737-0220	1		90° Male Adapter 3/4-16 MJ 3/8-16 NPT
35	737-0194	1		45° Male Adapter 3/4-16 MJ 3/8-18 NP
36	719-0269	1		Pusher Plate (642)
	719-0268	1		Pusher Plate (645)
37	738-0601	1		Shoulder Bolt .62" Dia. x 4.75" Lg. (1/2-13 Thd.)
39	15850	1		Flip Stand Bracket
40	713-0338	1		Chain-Tow Hitch
41	727-0289	1		Tow Hitch Ass'y. Comp
42	781-0020	1		Stand Pivot Bracket
43	781-0037	1		Tow Hitch Brk't. 2 x 3/16 x 10.25" Lg. I N
44	13115	1		Ferrule Ass'y.
45	712-0214	1	S	Hex Cent. L.-Nut 3/8-24 Thd.
46	720-0157	1	S	Grip-Black Vinyl
47	732-0324	1		Compression Spring
48	736-0206	1	S	Special Washer .378 x 1.00" x .125 Thd.*
49	747-0484	1		Engagement Rod 3/8" Dia. x 9.0" Lg.

Ref #	Part Number	Qty	S/P/F	Description
50	749-0622	1		Engagement Handle
51	710-0106	1	/P	Hex Bolt 1/4-20 x 1.75" Lg.*
52	710-0152	1	S	Hex Bolt 3/8-24 x 1.00" Lg.*
53	710-0180	1	/P	HexBolt3/8-24x.75" Lg.*
54	710-0299	1		Hex Bolt 1/4-28 x 1.00" Lg.*
55	710-0539	1	/P	Hex Bolt 3/8-24 x 1.75" Lg. (Grade 5)
56	712-0107	1	S	Hex Patch L.-Nut 1/4-20 Thd .
57	712-0117	1	S	Hex Cent. L.-Nut 1/4-28 Thd.
58	712-0138	1	S	Hex Nut 1/4-28 Thd.
59	712-0158	1	S	Hex Cent L.-Nut 5/16-18 Thd.
60	712-0241	1	/P	Hex Nut 3/8-24 Thd.*
61	712-0267	1	S	Hex Nut 5/16-19 Thd.*
62	712-0299	1		Hex Castle Nut 3/4-16 Thd.
63	712-0798	1	/P	Hex Nut 3/8-16 Thd.*
64	714-0162	1	/P	Cotter Pin 5/32" Dia. x 1.25" Lg.*
65	732-0429	1	S	Extension Spring .50" O.D. x 3.97." Lg.
66	734-0873	1		Hub Cap
67	735-0144	1		Rubber Washer
68	736-0119	1	S	L.-Wash. 5/16" I.D.*
69	736-0169	1	S	L.-Wash. 3/8" I.D.*
70	736-0262	1	/P	Fl.-Wash. .375" I.D. x .870" O.D. x .090
71	738-0143	1	/P	Shoulder Bolt .498" Dia. x x.340" Lg.
72	738-0296	1	S	Shoulder Bolt .437" Dia. x .268" Lg.
73	750-0442	1		Spacer .75" I.D. x 1.12" O.D. x 1.56" Lg.
74	734-1016	1	S	Wheel Ass'y. Comp. 16.0 x 4.0"
75	734-0255	1	S	Air Valve-Tubeless
76	734-0872	1		Tire Only 16.0 x 4.0-2 Ply
77	734-1017	1	S	Wheel Rim Ass'y Only
78	741-0107	1	S	Roller Rearing 3/4" I.D
79	781-0018	1		Axle Ass'y. .75" Dia. x 35.25" Lg.
80	710-0117	1	S	Hex Bolt 5/16-24 x 1 .00 0 Lg.*
81	710-0298	1		Hex Bolt 5/8-18 x 3.50" La.*
82	710-0409	1	/P	Hex Bolt 5/16-24 x 1.75 0 Lg.*
83	710-0442	1	S	Hex Bolt 5/16-18 x 1.50" Lg.*
84	712-0123	1	/P	Hex Nut 5/16-24 Thd.*
85	712-0267	1	S	Hex Nut 5/16-18 Thd.*
86	712-0337	1		Hex Nut 5/8-18 Thd.*
87	712-0338	1		Hex Nut 11/16-12Thd
88	721-0203	1	S	Gasket 2.62 x 5.12
89	732-0352	1		Extension Spring .50" O.D. x 4. 25" Lg.
90	736-0119	1	S	L.-Wash. 5/16" I.D.*
91	736-0158	1	S	L.-Wash 5/8" I.D.*
92	736-0275	1	S	Fl Wash. .341" I.D. x .68" O. D . x .062 Thk.
93	737-0191	1		Adapter 1.0" Tube 11/16-12 O Ring
94	738-0140	1	S	Shoulder Bolt .437" Dia. x .180" Lg.
95	745-0174	1		Oil Fill Cap
96	781-0021	1		Strainer Tube Ass'y
97	781-0023	1		End Plate
98	781-0024	1		Engagement Brk't. 1.39 x 1 1.75" Lg.
99	781-0025	1		Complete Oil Tank Ass'y.
100	781-0033	1		Engine Frame Ass'y.
101	781-0036	1		Filler Tube Ass'y
102	721-0204	1		Extension Spring .50" O.D. x 1.16" O.D. x .116 Dia

245-642-190 5 HP Log Splitter (1985)
Log Splitters

Page 6 of 6

Ref #	Part Number	Qty	S/P/F	Description
103	781-0038	1		Wedge Ass'y
104		1		5 H.P. Engine (642)
		1		8 H.P. Engine (645)
105	721-0168	1	S	Bearing Seal
106	710-0604	1	S	Hex H d. Tap Scr. 5/16 "
107	721-0205	1		Gasket